

Shims for The Kenometer

Installing Shims

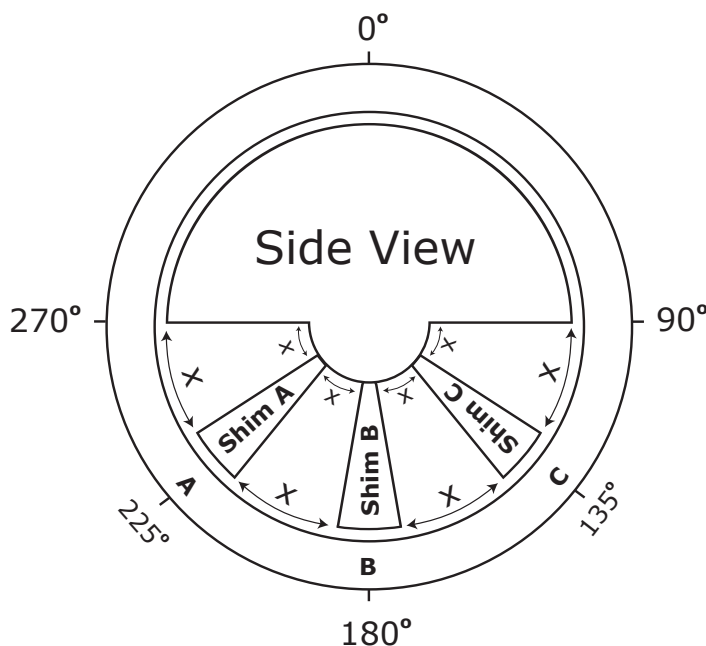
The Kenometer is made to suit core sizes of NQ2 and HQ. However, it is sometimes required for the tool to measure alpha and beta angles in other sizes of core. This is why we developed shims designed to make the tool functional for smaller core sizes.

Fitment of shims makes the following sizes achievable

- **NQ2 to NQ and NQ3**
- **HQ to HQ3**

Fitting Shims

Each Kenometer requires a set of three shims be installed to achieve a good core fit and therefore accurate readings. We recommend that when installing shims permanently you use a product such as Araldite or Maverick Bond.



As shown on the left fit shims in equal distance from each other (X) along the body or 'U' of the tool. Shim A should be fitted at what is in line with 225°, Shim B at 180° and Shim C at 135°. The shims should be installed along the length of U and such that an equal distance (x) is maintained between the shims for the length of the unit.